

## 24" Electric Cooktop

- Radiant Cooktop with 4 Elements
- Dual 8" / 5" Element
- SmoothTouch™ Glass Controls



### COLOR AVAILABILITY

- CBED2415B – Black

### COOKTOP FEATURES

Cooktop Type	Radiant
Number of Elements	4 (1 Dual / 3 Single)
Element Size / Wattage	
Left Front	Dual 8" / 5" - 2,000W / 1,000W
Left Rear	7" - 1,500W
Right Front	6" - 1,200W
Right Rear	6" - 1,200W
Power Settings	9 Level
Power Control	Yes

### CONTROLS

Cooktop Control Type	SmoothTouch™ Glass (Front Right)
Control Lock	Yes

### CONVENIENCE

ADA Compliant	Yes
---------------	-----

### SMART FEATURES

Wi-Fi Enabled	No
ThinQ® Technology	No
SmartDiagnosis™	No

### FINISHES AND APPEARANCE

Cooktop Surface	Black Ceramic Glass w/Grey Controls
Cooktop Frame / Trim	Frameless

### TECHNICAL SPECS

Required Power Supply	240/208 V, 60 Hz, 3-Wire or 4-Wire
Minimum Circuit Rating	14.6A (240V) / 12.5A (208V)
kW Rating at 208V	2.6 kW
kW Rating at 240V	3.5 kW
Power Cord / Cable	Not Included
Power Cable Location	Right Rear

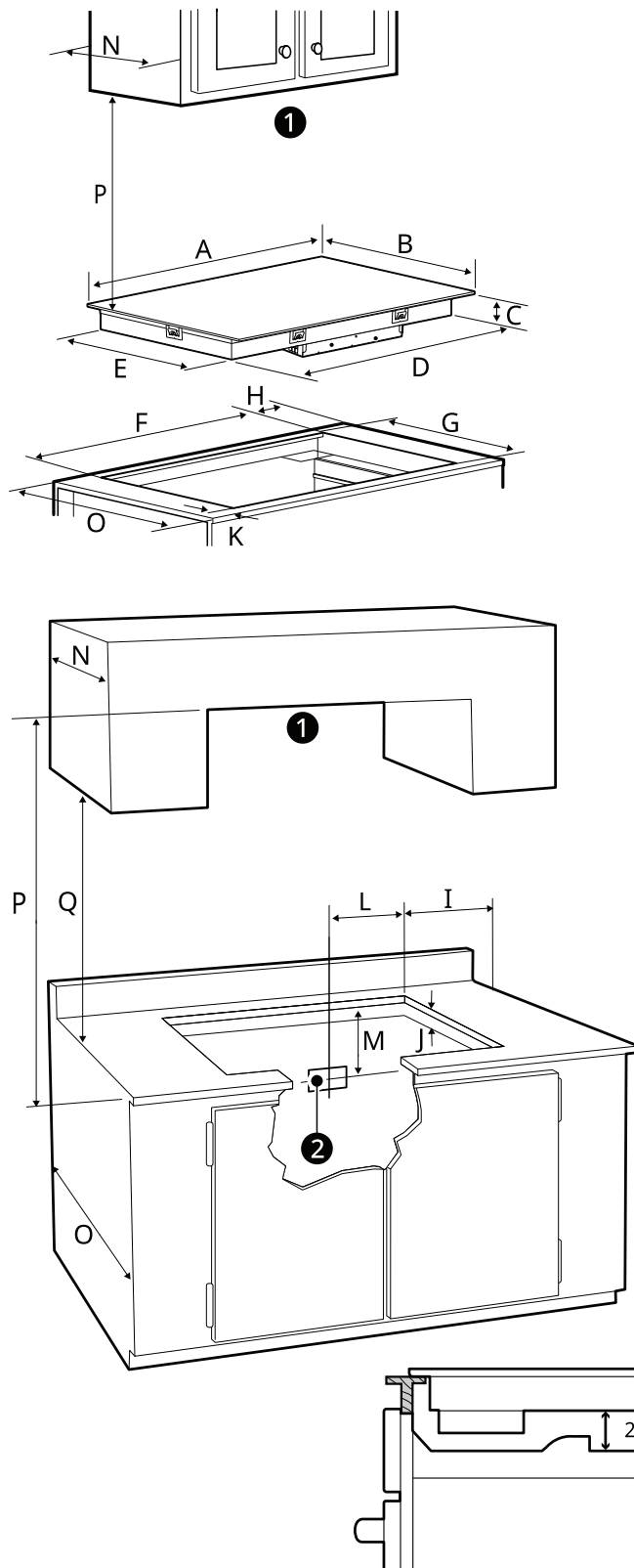
### DIMENSIONS / CLEARANCES / WEIGHTS

Product Dimensions (W x H x D)	23 5/8" x 3 3/8" x 20 7/16"
Cutout Dimensions (W x D)	22"-22 1/8" x 18 13/16"-19"
Carton Dimensions (W x H x D)	25 11/16" x 6 1/16" x 22 5/8"
Approx. Weight (Product / Carton)	25.1 lbs. / 30 lbs.

### LIMITED WARRANTY

Parts and Labor	1 Year
-----------------	--------

## DIMENSIONS / CLEARANCES



## DIMENSIONS / CLEARANCES

<b>1</b>	Do not obstruct these areas.	
<b>2</b>	Approximate location of junction box	
A	Width of upper plate	23 5/8" (600 mm)
B	Depth of upper plate	20 7/16" (520 mm)
C	Height of cooktop base	3 3/8" (86mm)
D	Width of cooktop base	21 9/16" (548 mm)
E	Depth of cooktop base	18 7/16" (468 mm)
F	Width of cutout	22" – 22 1/8" (558 mm – 562 mm)
G	Depth of cutout	18 13/16" – 19" (478 mm – 482 mm)
H	Distance from side edge of cutout to side of counter	≥ 1" (26 mm)
I	Distance from edge of cooktop to nearest combustible wall (either side of unit)	1" (26 mm)
J	Height below cutout (Empty space is needed underneath the cooktop for installation purposes.)	3 3/4" (95 mm)
K	Distance from front of counter to front edge of cutout	≥ 1 1/2" (38 mm)
L	Junction box (approximate location)	≤ 10" (254 mm)
M	Junction box (approximate location)	≥ 15" (381 mm)
N	Depth of overhead cabinets	≤ 13" (330 mm)
O	Depth of bottom cabinets	24" (610 mm)
P	Clearance from top of cooking surface to bottom of overhead cabinets	≥ 30" (762 mm)
Q	Clearance from countertop to bottom of adjacent cabinets	≥ 18" (457 mm)

## INSTALLATION NOTES

- Allow 2" (50 mm) space below the armored cable opening to clear the electric cable and allow space for installation of the junction box on the wall at the back of the cooktop.
- Make sure the cabinets and wall coverings around the cooktop can withstand the temperatures up to 194 °F generated by the cooktop.
- To eliminate the risk of burns or fire by reaching over heated surfaces, cabinet storage space located above the cooktop should be avoided. If cabinet storage is provided, risk can be reduced by installing a range hood that projects horizontally a minimum of 5" (127 mm) beyond the face of the cabinets.
- If base cabinet has a drawer, a minimum 127 mm (5") depth clearance from the bottom of cooktop to top of the drawer (or other obstruction) in base cabinet is required.
- It is very important to keep 2" (51 mm) distance between the cooktop and the oven installed below it.